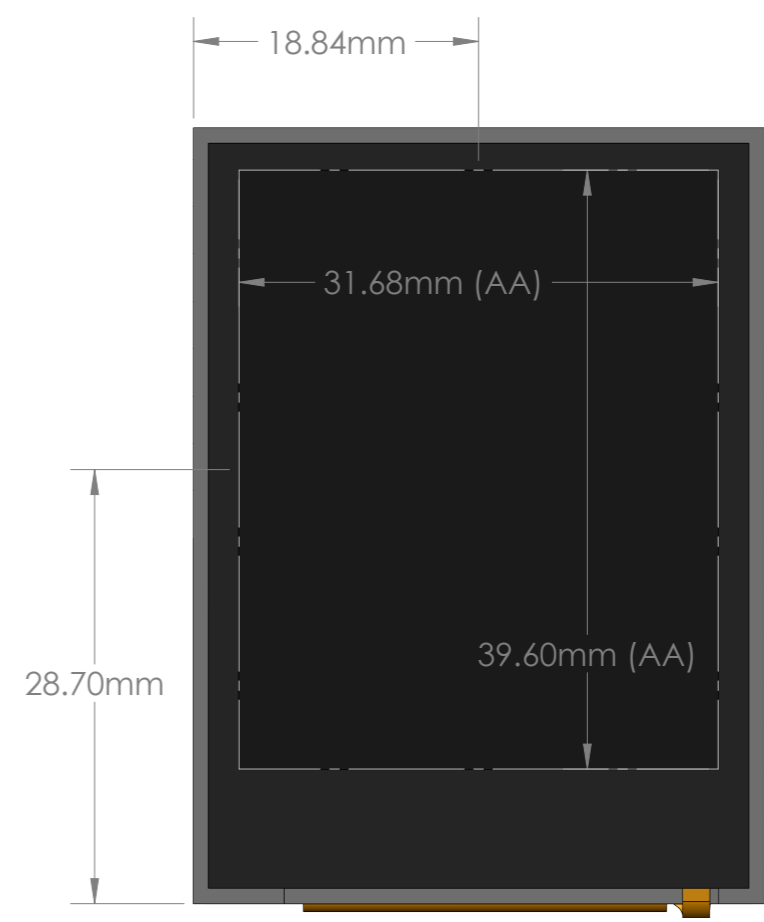
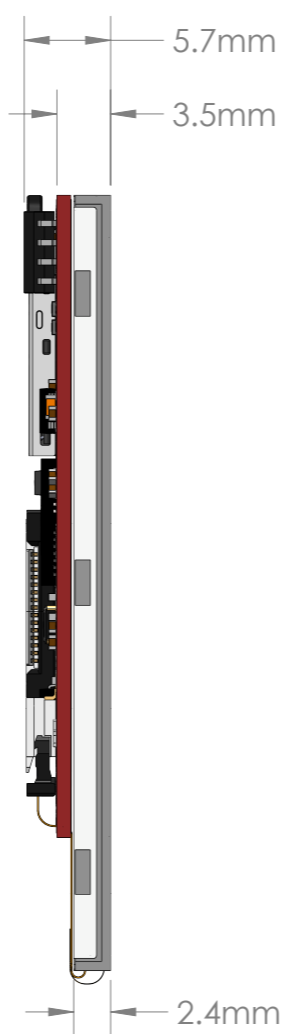
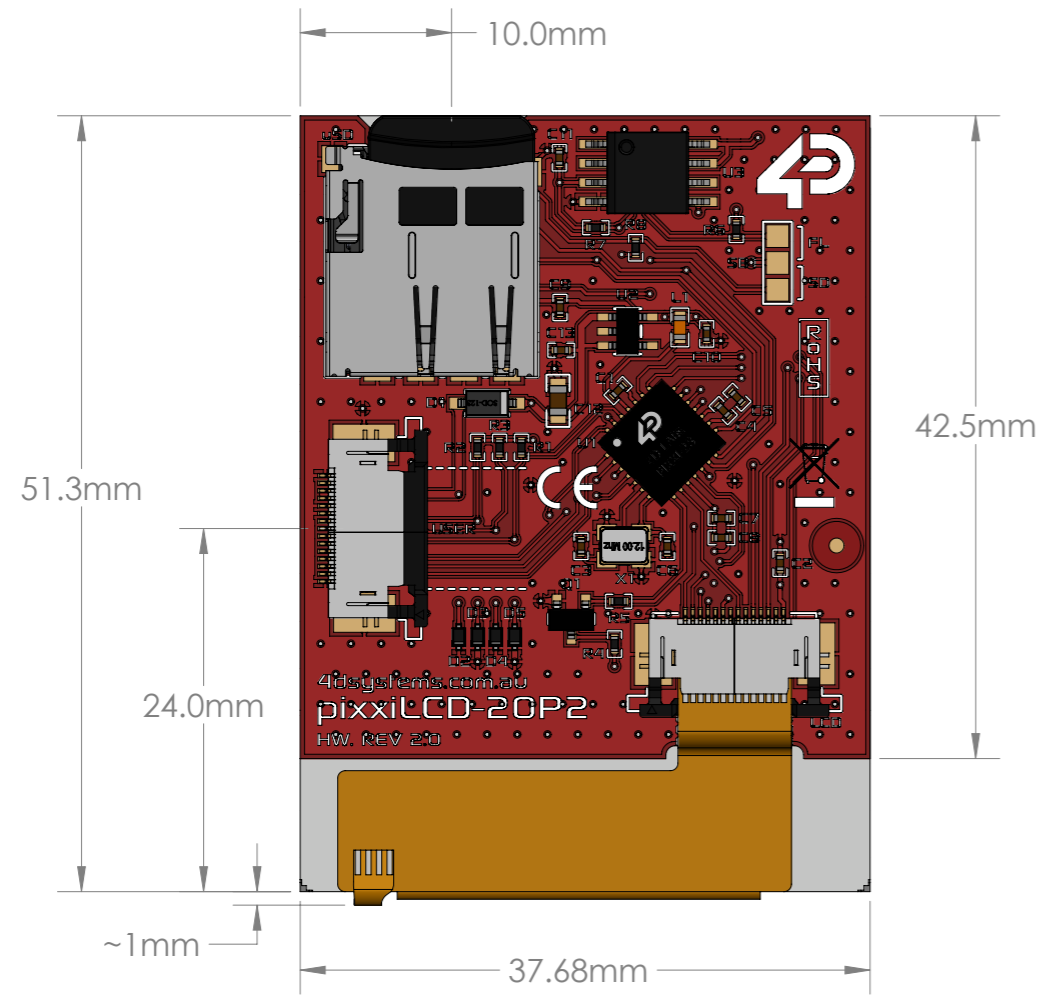


1 2 3 4 5 6 7 8

A
B
C
D
E
F



UNLESS OTHERWISE SPECIFIED:
DIMENSIONS ARE IN MILLIMETERS
SURFACE FINISH:
TOLERANCES:
LINEAR: 0.3mm
ANGULAR:

TITLE:
pixxiLCD-20P2 (Non Touch)

A3

	NAME	DATE
DRAWN	4D	29/04/2020
CHK'D		
APP'VD		

